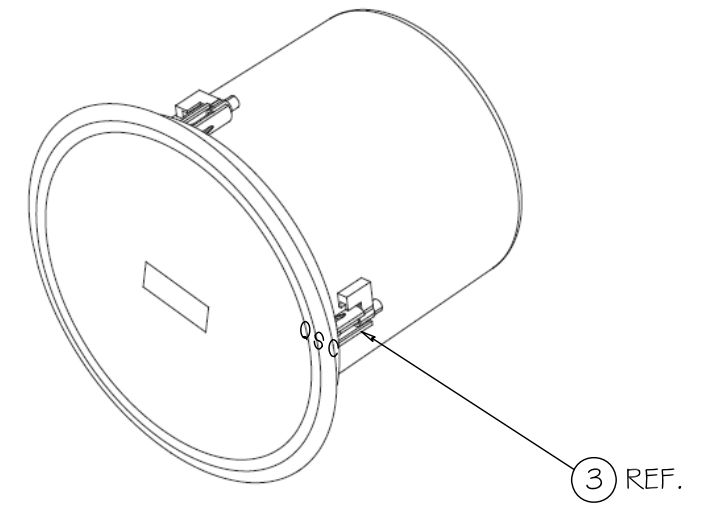
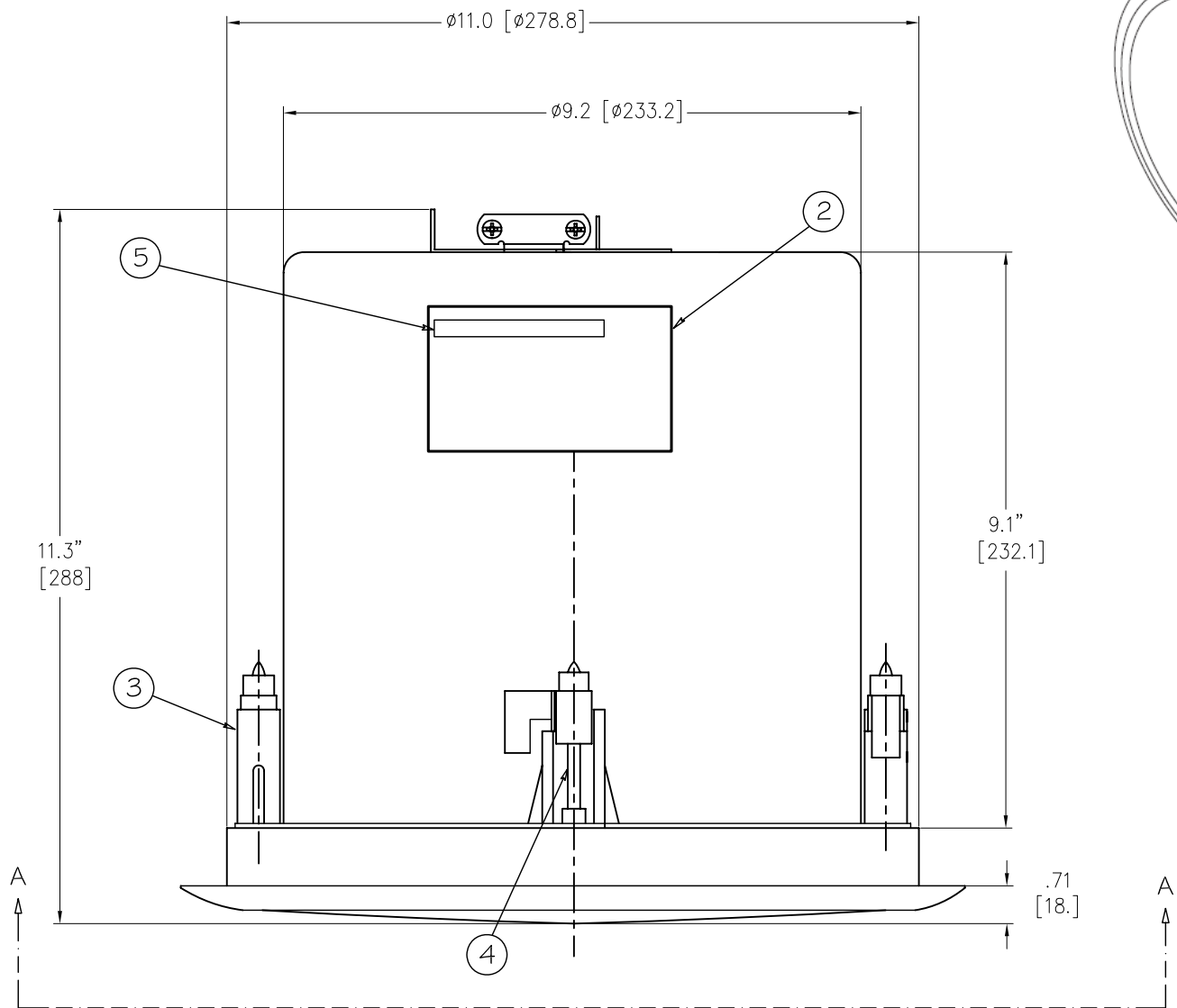
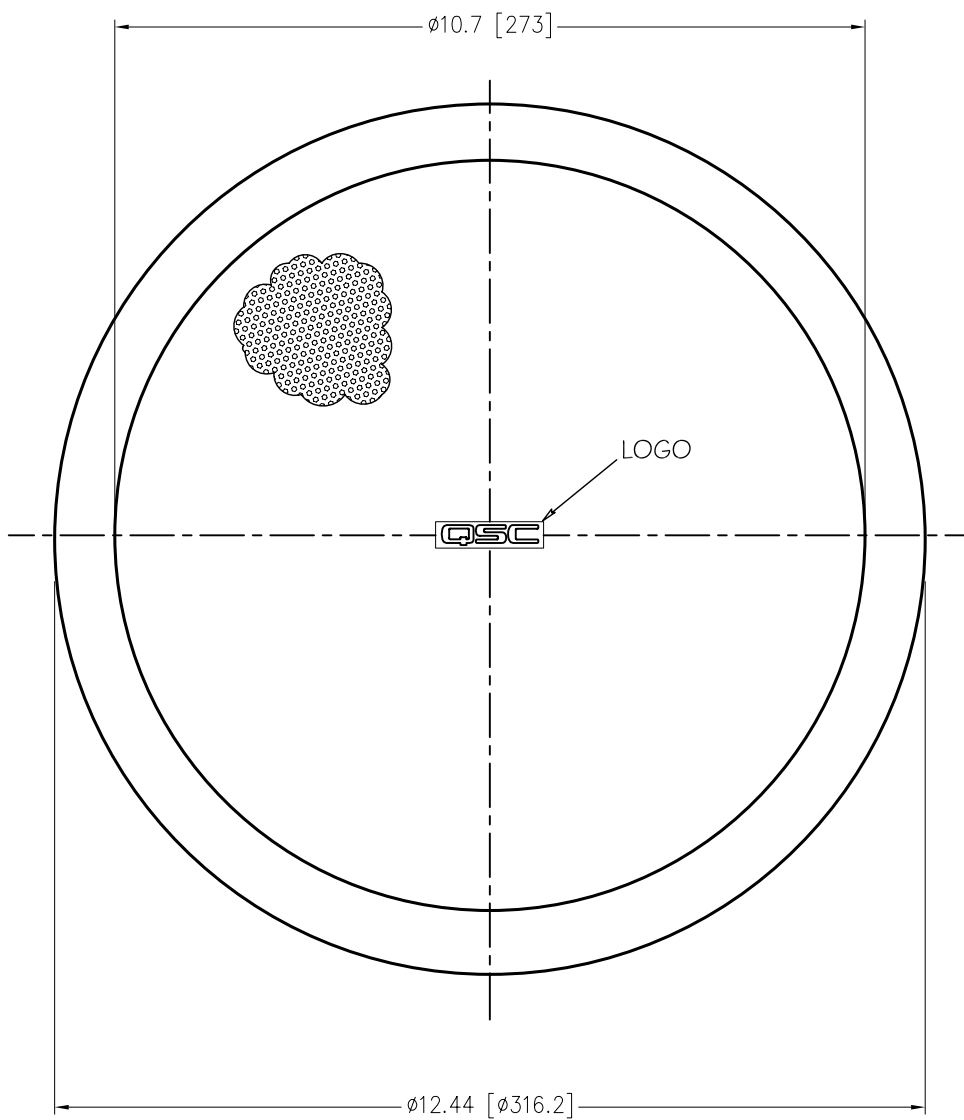
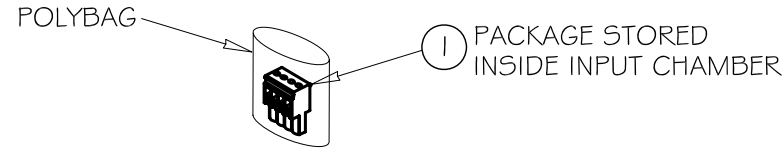


THIS DOCUMENT CONTAINS PROPRIETARY INFORMATION WHICH IS THE PROPERTY OF QSC AUDIO PRODUCTS. THAT MAY NOT BE DISCLOSED, REPRODUCED OR USED WITHOUT EXPRESS WRITTEN CONSENT FROM QSC AUDIO PRODUCTS.

REVISIONS					
REV	ECO	DESCRIPTION	BY	EFF DATE	ISSUED
A		PRODUCTION RELEASE	MJ	AUG-20-15	DD



ITEM	PART NUMBER	DESCRIPTION	QTY
5	LB-001118-00	LABEL, DATE CODE, ODM	1
4	SC-000456-00	SCR, PHH, FLH, TPG, 4MM, 55MM L, STL, ZINC	4
3	PL-001027-00	DOG EAR, AC-C8T	4
2	LB-001147-00	LABEL, SPEAKER PRODUCT, AC-C8T	1
1	CO-000579-00	EURO, 4 POS, FEMALE, AC-C4T	1

UNLESS OTHERWISE SPECIFIED DIMENSIONS ARE: INCH [MILLIMETER]					TOLERANCES ARE:				
APPROVALS		DATE (DD-MM-YY)		<p>QSC, LLC 1675 MACARTHUR BOULEVARD COSTA MESA, CA 92626</p> <p><b>SPEAKER, AC-C8T, CEILING, W/XFMR &amp; BACKCAN</b></p>					
DRAWN M. JEN		20/SEP/15							
CHECKED V. OLDAG		20/SEP/15							
MFG ENG G. GALVIN		20/SEP/15							
QA CHECK S. FELTS		20/SEP/15							
DRAWING INFO: WP-080008-00		SIZE: D	CAGE CODE: 00PW4	DRAWING NO: WP-080008-00	REV: A				
MODEL INFO: WP-080008-00		SCALE: 1.5	DO NOT SCALE DRAWING		SHEET 1 OF 1				

1. ALL PARTS MUST BE RoHS COMPLIANT PER QSC RD-000160-00. SUPPLIER TO PROVIDE A CERTIFICATE OF RoHS COMPLIANCE.

NOTE: UNLESS OTHERWISE SPECIFIED