

CDS-215 NEPTUNE

APPLICATIONS

Low Frequency Special Effects Concert PA Systems
Discotheque Subwoofer Nightclub Installations

DESCRIPTION

The CDS-215 is a very high output low frequency loudspeaker system designed to provide high output and high fidelity extended low frequency audio reproduction. The CDS-215 incorporates our proprietary tuned, damped, clam shell alignment, providing greater output and low distortion. Artifacts and vent turbulence, even at extreme levels, are reduced. This makes the CDS-215 an ideal choice for super high level systems requiring stability and reliability under the most demanding long term use. Designed for portable or installation use, the CDS-215 is constructed from 18mm Baltic birch plywood and features a durable and attractive black Ro Tex™ finish, durable steel grille and Integral handles.



SPECIFICATIONS

System Type:

Vented

Enclosure:

18 mm 13-ply birch plywood

Finish:

Black Ro Tex™ True water born environmental finish

Grille:

16 Gauge black power coated perforated steel

Low Frequency Components:

2 - E-15E Transducers, 15" Cone, 4" Voice coil, 109oz Magnet

Input Connector:

Dual Neutrik® speakON

Hardware:

Optional Fly points available

Crossover Type:

Requires Low Pass Filter

Sensitivity:

99 dB SPL (2.83 V @ 1m)

Frequency Response:

40 Hz to 150Hz

Low Frequency Limit:

32 Hz (-10dB)

Power Handling:

2400 W continuous (AES) 4800 W program

Recommended Amplifier Power:

2400 to 4800 W at rated impedance

Rated Impedance:

4 Ohms

Polarity:

A positive asymmetrical signal applied to the + terminal will result in a positive asymmetrical acoustical pressure

Weight:

150 lbs

68 kg

Custom Finishes:

Optional custom finishes include white, unfinished ready to paint and outdoor weather treatment.

BAG END® is a registered trademark of Bag End, Inc.

CDS-215 NEPTUNE

ABOUT OUR RO TEX™ FINISH

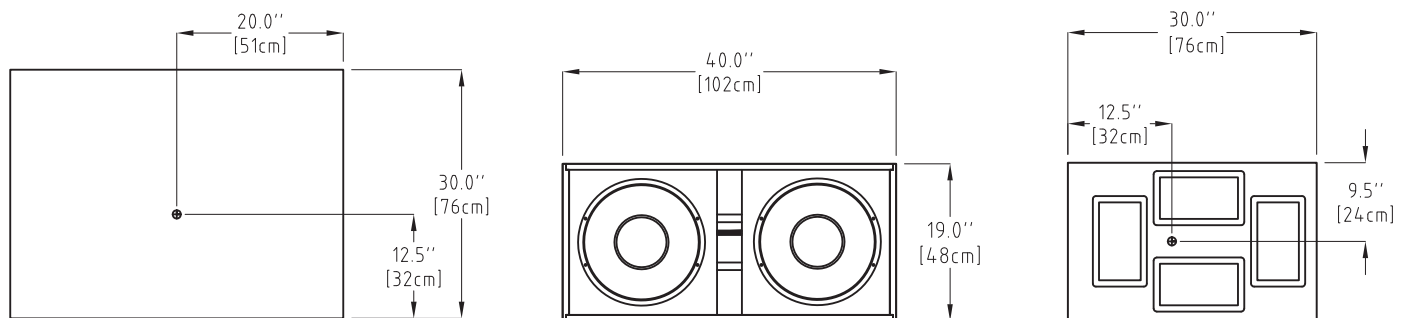
The durable Ro Tex™ finish is double layered on Bag End™ "R" series or Road cabinets. And single layered on installation or "I" cabinets. Ro Tex™ is a water born environmentally safe finish. It's uniquely strong and long lasting. As it solidifies it attaches and bonds to the wooden cabinet to make a super hard and durable permanent finish. Its light texture offers an attractive and rugged finished look

ABOUT BAG END® LOUDSPEAKERS

Bag End loudspeakers began in 1976 in a small shop by people dedicated to the pursuit of making high quality loudspeaker systems. Over the decades Bag End® has employed the very best construction techniques and innovative acoustical designs into their products. The ground breaking introductions of the Time-Align® and ELF™ Technologies into sound reinforcement and studio monitor loudspeakers in the 1980's was followed by Minima One™ self-powered systems and the highly unique E-Trap™, electronic bass trap. Over the decades, Bag End® has been a leader in providing uniquely good sounding products and extraordinary service to our customers world wide.



DIMENSIONS



⊕ = Center of Gravity

