

C SERIES

CP6 TWO-WAY, FULL-RANGE, 6.5-INCH PENDANT MOUNT LOUDSPEAKER SYSTEM



SPECIFICATIONS

Loudspeaker Type:	Two-way, full-range, coaxial pendant mount loudspeaker, 8 ohm or 70V/100V operation			
Operating Range:	70 Hz - 13.5 kHz (-10 dB)			
Frequency Response:	100 Hz - 12.5 kHz (-3 dB)			
Max Input Ratings (8 ohm):	60W continuous, 150W program 21.9 volts RMS, 43.8 volts momentary peak			
Transformer Taps - 70V:	30W, 15W, 7.5W, 3.75W and 8 ohm selectable			
100V:	30W, 15W, 7.5W, and 8 ohm selectable			
Distortion:	10% Full Power:	1% Full Power:		
	<i>2nd Harmonic</i>	<i>3rd Harmonic</i>	<i>2nd Harmonic</i>	<i>3rd Harmonic</i>
500 Hz	0.33%	0.55%	0.25%	0.06%
2 kHz	1.11%	0.80%	0.67%	0.23%
8 kHz	2.49%	0.21%	0.30%	0.06%
Sensitivity (1W/1m):	91 dB SPL (100 Hz to 12.5 kHz 1/3 octave bands) 91 dB SPL (250 Hz to 4 kHz speech range)			
Maximum Output - 8Ω:	109 dB SPL / 115 dB SPL (peak)			
70V:	106 dB SPL / 112 dB SPL (peak)			
100V:	106 dB SPL / 112 dB SPL (peak)			
Nominal Impedance:	8 ohms			
Minimum Impedance:	7 ohms @ 10 kHz			
Nominal Coverage:	120° conical (1 kHz to 6 kHz ±65°) 120° conical (500 Hz to 6 kHz ±65°)			
Axial Q / DI:	5.04 / 7.03, 500 Hz to 6 kHz			
Crossover Frequency:	2 kHz			
Recommended Signal Processing:	90 Hz, at 24 dB/Oct high pass filter			
Drivers:	LF 1 x 6.5-inch cone HF 1 x ¾-inch exit compression driver			
Driver Protection:	Self-resetting solid state circuit breaker			
Input Connection:	Two 2-pole Euroblock connectors			
Controls:	Front-face wattage / low impedance selector switch			
Enclosure:	UL 94V-0 rated ABS plastic, matte finish, paintable			
Finish:	Black or white			
Mounting/Rigging Provisions:	Two PHK-15 pendant hang kits (one for main suspension and one as a safety cable), each including 15ft (4.5m) long 2mm (0.77") high tensile galvanized steel wire rope suspension cables with integrated spring clips for attaching the cable to the loudspeaker bracket and Gripple® brand adjustable height cable fasteners.			
Grille:	Powder coated steel with safety line, white or black finish, paintable			
Baffle:	Reflex loaded UL 94V-0 rated ABS			
Safety Features:	Included safety cable. Each cable has an SWL of 99 lbs (45 kg).			
Safety Agency Ratings:	ETL listed to comply with UL1480 and CSA60065. Suspension system and Gripple® brand cable fastener listed per UL1598 and UL2239, TUV and CSA Class 3426-01 and Class 3426-81.			
Required Accessories:	Electronic high pass filter			
Supplied Accessories:	Two PHK-15 pendant hang kits Enclosure ABS plastic rear cover Rear cover ingress weather plug			
Optional Accessories:	PHK-30 30ft (9.1m) pendant hang kit PHK-50 50ft (15.2m) pendant hang kit PSC replacement Gripple® speed clamp PST-14 trimmable 14ft (4.3m) decorative split loom tubing			
Dimensions - Height:	13.629" (346.2 mm) enclosure			
Diameter:	10.0" (254 mm) face			
Weight:	8.1 lbs (3.7 kg)			

NOTES:

- Sensitivity: Full space measurement at 3.28ft (1m), calculated using input of 2.83 volts RMS
- Watts: All wattage figures are calculated using the rated nominal impedance.



APPLICATIONS

- Bars and restaurants
- Hotels, ballrooms and casinos
- Shopping malls and retail environments
- Health and fitness clubs
- Houses of worship, corporate meeting rooms
- Airports, convention centers and exhibit halls

FEATURES

- Stylish, contoured contemporary pendant design
- High intelligibility with exceptional uniform coverage
- Same components and voicing as the Commercial Design ceiling and surface mount loudspeaker family
- Consistent, wide dispersion up to 16 kHz
- True coaxial loudspeakers with HF compression drivers
- Tru-Phase™ high-frequency waveguide
- Paintable enclosure constructed of high-impact ABS plastic to reduce resonances
- External loop-through Euroblock connectors
- Integrated rear cover hiding all wires and hanging hardware
- Face-mounted adjustable tap position selector switch
- Selectable 8 ohm or 70V/100V operation
- ETL listed to comply with UL1480

DESCRIPTION

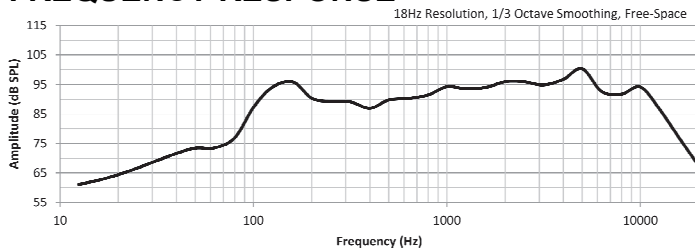
Available in standard white or black finish, the powerful and versatile C SERIES CP6 provides high quality paging and musical performance. It is designed for open architecture spaces or any location where a stylish pendant form factor is desired. Uniform voicing throughout the C SERIES means that the CP6 can be combined with other members of the Commercial Design product family without compromising consistency from zone to zone. Community's proprietary Tru-Phase™ waveguide produces a consistently wide conical polar response up to 16 kHz. The genuine coaxial design uses separate magnets for the LF and HF drivers for reduced distortion and industry leading sensitivity, thereby permitting up to 3 dB greater output level while requiring up to half the amplification power of competing products. An easy-access selector switch is conveniently located on the face of the loudspeaker for selectable 8 ohm or 70V/100V operation, while an integrated rear cover hides all wiring and hanging hardware for an aesthetically pleasing installation.

C SERIES

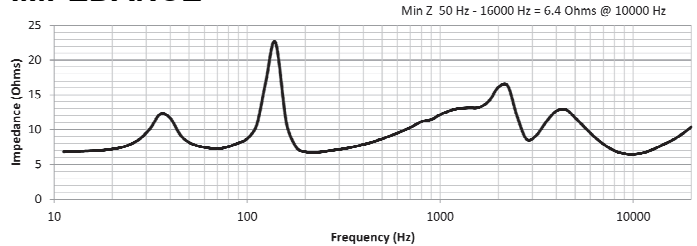
CP6 TWO-WAY, FULL-RANGE, 6.5-INCH PENDANT MOUNT LOUDSPEAKER SYSTEM



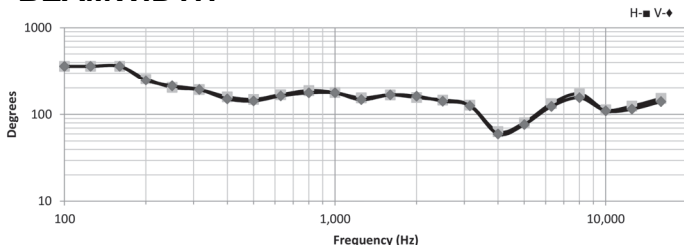
FREQUENCY RESPONSE



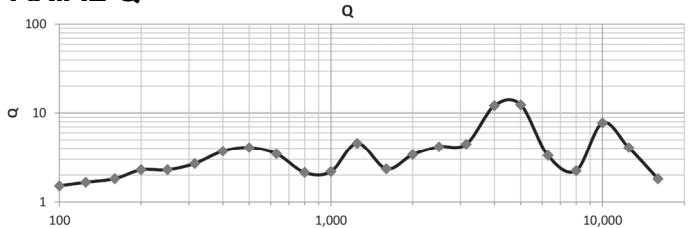
IMPEDANCE



BEAMWIDTH

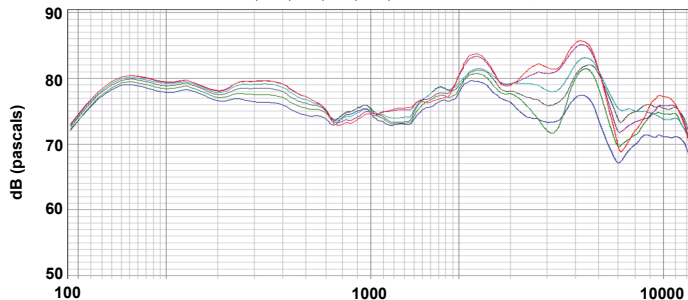


AXIAL Q

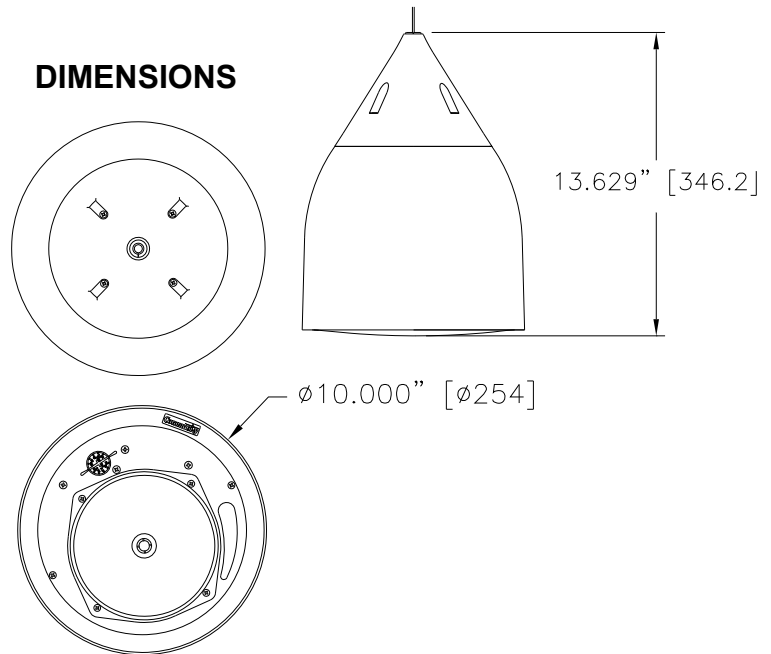


DISPERSION DEVIATION

0°, 10°, 20°, 30°, 40°, 50° OFF-AXIS



DIMENSIONS



ARCHITECTURAL SPECIFICATIONS

The loudspeaker system shall be a two-way, full-range ceiling mount system with a 6.5-inch low frequency transducer with a coaxially mounted 0.75-inch exit high frequency compression driver. The drivers shall be connected to an integral crossover with a crossover frequency of 2 kHz, with a self-resetting solid state circuit breaker for driver protection. The system shall have an amplitude response of 70 Hz to 13.5 kHz (-10 dB) and a low impedance (8 ohm) input capability of 22V RMS. The sensitivity at 1W/1m shall be 91 dB SPL (100 Hz to 12.5 kHz 1/3 octave bands). The loudspeaker system shall have a conical coverage pattern of 120° conical from 500 Hz to 6 kHz. The nominal system impedance shall be 8 ohms (in low impedance setting). The loudspeaker enclosure and loudspeaker baffle shall be paintable and constructed of UL 94V-0 rated ABS plastic. A paintable steel grille with a durable powder coat finish shall be included. The system shall be equipped with a 30W high performance autoformer for use in 70.7V or 100V distributed audio systems with 30W, 15W, 7.5W, and 3.75W taps available in 70.7V distributed systems (30W, 15W and 7.5W taps available in 100V distributed systems). An easily accessible front-face tap selector switch located on the front baffle, which is concealed by the supplied removable grille, shall be available for selecting autoformer and low impedance settings. Two 15ft (4.5m) long 2mm (0.079") high tensile galvanized steel wire rope suspension cables shall be included, one for main suspension and one as a safety cable, along with Grippler® brand adjustable height cable fasteners. Integrated spring clips shall attach the cable to the loudspeaker bracket. An integrated rear cover shall be included to hide wiring and hanging hardware. The loudspeaker system shall have a diameter of 10.0" (254 mm) and an enclosure height of 13.629" (346.2 mm). It shall weigh 8.1 lbs (3.7 kg).

The system shall be ETL listed to comply with UL1480 and CSA60065. The loudspeaker system shall be the Community C SERIES CP6 (or CP6-B).

Community strives to improve its products on a continual basis. Specifications are therefore subject to change without notice.