

AF CB CP CS CV HD HS R SL **WE** XE XL

SPECIFICATIONS (See notes 1 and 2)

Loudspeaker Type: Quasi 3-way, Weather resistant

Operating Range: 60 Hz - 16 kHz
95 Hz - 15 kHz (+/-3dB)

Max Input Ratings:

250W continuous, 600 W program
32 volts RMS, 69 volts momentary peak
Recommended Power Amplifier: 500W to 720W @ 4 Ohms

Sensitivity 1W/1m: 95 dB SPL (63 Hz - 16 kHz 1/3 octave bands)
96 dB SPL (250 Hz - 4 kHz speech range)

Maximum Output: 119 dB SPL / 126 dB SPL (peak)

Nominal Impedance: 4 Ohms

Min Impedance: 3.3 Ohms @ 210 Hz

Nominal -6dB Beamwidth:

75° H (+25° / -20°, 1.25 kHz - 10 kHz)
75° V (+11° / -8°, 1.25 kHz - 10 kHz)

Axial Q / DI: 14.6 / 11.6, 1.25 kHz - 10 kHz

Crossover Frequency: 1.8 kHz

Recommended Signal Processing:

50 Hz high pass filter

Drivers (Ferrofluid-cooled):

LF (1) 8" carbon fiber cone
LF/MF (1) 8" carbon fiber cone
HF (1) 1" exit, polyimide diaphragm

Driver Protection: PowerSense™ DDP

Input Connection: 4 foot (1.2m) SJOW #16 Gauge

Controls: None

Enclosure: Hand-laminated fiberglass, black gel-coat

Mounting / Rigging Provisions:

(2) 1/2-13 rigging points

Grille: 3-layer Weather-Stop™

Required Accessories:

None

Supplied Accessories:

(2) 1/2-13 x 1" stainless steel bolts
(2 ea.) Stainless steel lock, flat, and rubber washers

Optional Accessories:

WETBKT2: Stainless steel mounting yoke

Dimensions: Height: 20 in. / 508 mm

Width: 10.1 in. / 257 mm

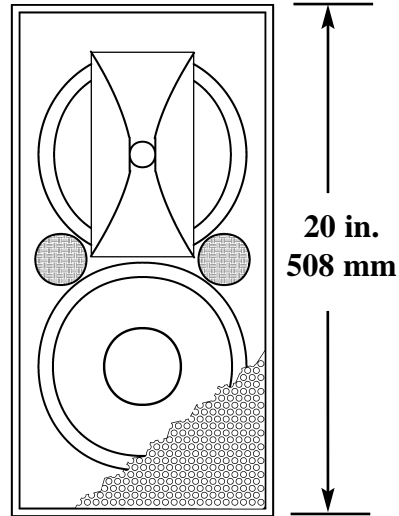
Depth: 11.5 in. / 292 mm

Weight: 30 lb. / 13.6 kg

Shipping Weight: 32 lb. / 14.5 kg

1. Sensitivity: Free field pink noise measurement at 40 ft / 12.2 m at 10% power; extrapolated to 1 meter and an input of 2 volts RMS.

2. Watts: All wattage figures are calculated using the rated nominal impedance.



APPLICATIONS:

- Theme Parks / Waterparks
- Outdoor Entertainment Centers
- Cruise Ships / Swimming Pools
- Stadium Fill

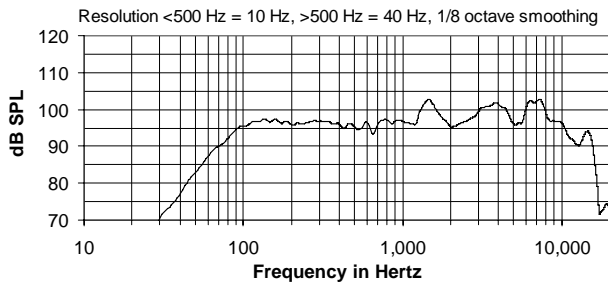
FEATURES:

- All-weather, all-fiberglass enclosure
- Weather inert driver diaphragms
- Stainless steel hardware
- Integral mounting points
- High power passive crossover
- Weather-resistant grille

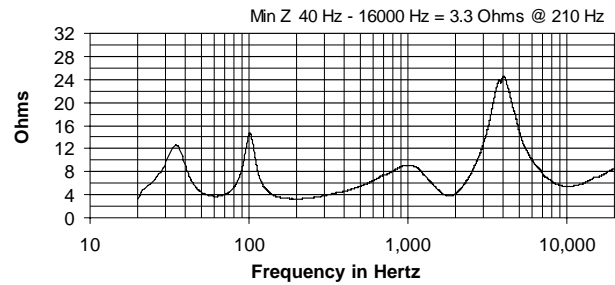
DESCRIPTION

The Community WET228 loudspeaker is a quasi three-way, full-range loudspeaker system designed to provide high quality music and voice reproduction in applications requiring extreme weather-resistance. It provides an uncompromised musical system in a compact, attractive, weather-resistant package. Engineered for use in permanent installations, the loudspeaker enclosure and faceplate are constructed in one piece of hand-laminated black fiberglass. The LF and MF / LF cones are of carbon fiber. The coaxially-mounted HF driver has a diaphragm of polyimide. All drivers are Ferrofluid-cooled. PowerSense Protection circuitry protects against excessive power. Five year limited warranty.

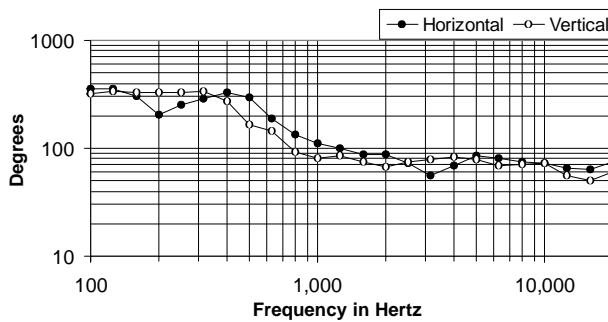
FREQUENCY RESPONSE



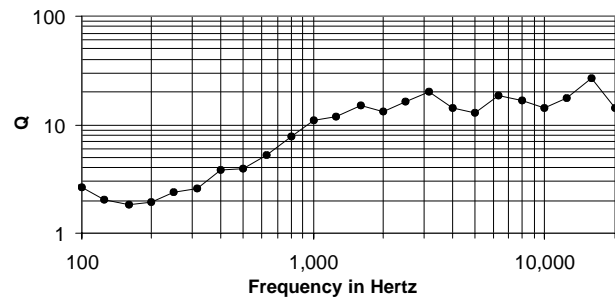
IMPEDANCE



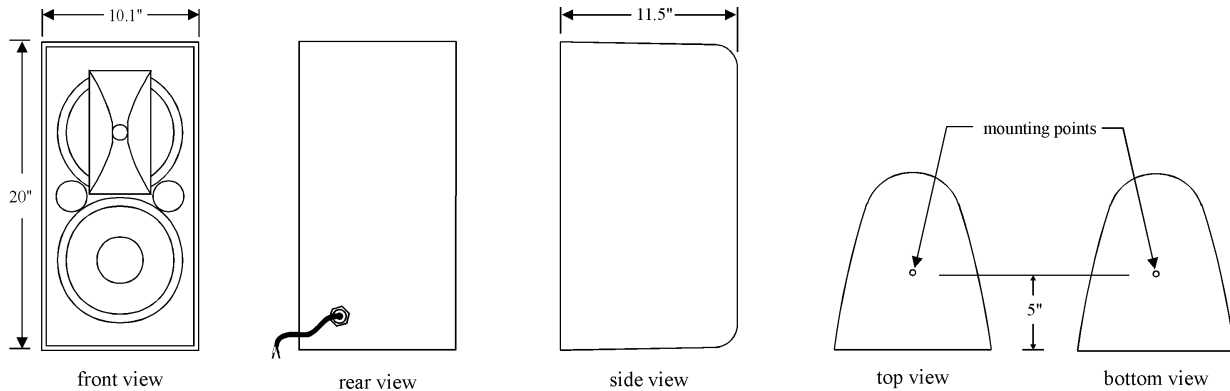
BEAMWIDTH



AXIAL Q



DIMENSIONS



ARCHITECTS' AND ENGINEERS' SPECIFICATIONS

The loudspeaker system shall be a quasi three-way, full range, weather-resistant bass reflex design with one 8 in. carbon fiber low frequency woofer, one 8 in. carbon fiber low/mid frequency woofer and one 1 in. exit high frequency driver with a non-metallic diaphragm mounted on a high frequency fiberglass horn. Drivers shall be connected to an integral crossover with crossover frequency of 1.8 kHz and integral over-current protection circuitry using high positive current coefficient resistors. The input connection shall be one 4 ft (1.2m) SJOW #16 gauge cable with stripped ends. The loudspeaker enclosure shall be of molded reinforced fiberglass with a 16 gauge perforated steel grille backed by open cell foam and a 100 x 100 wire sq. in. stainless steel mesh. There shall be two 1/2 - 13 rigging points. The system shall have an amplitude response of 95 Hz - 15 kHz (+/- 3 dB), input capability of 32 volts RMS, 95 dB sensitivity at one meter / 2 V / 4 ohms nominal impedance. The nominal dispersion shall be 75°H x 75°V from 1.25 kHz - 10 kHz. The loudspeaker shall be 20 in. (508 mm) H x 10.1 in. (257 mm) W x 11.5 in. (292 mm) D and weigh 30 lb. (13.6 kg).