


Xi-2122MHA/42F

**Dual 12-Inch Two-Way,
Long-Throw, Mid-High 40° x 20°
Sound Reinforcement System**



Key Features:

- Unprecedented Output in a High-Level, Two-Way Design
- Dual ND12A 12" Neodymium Mid-Bass Drivers
- Coaxially-Mounted Dual ND6-16 3" Diaphragm HF Compression Driver for Very High Output
- Far-Field, Long-Throw 40° x 20° Coverage Pattern
- Ring-Mode Decoupling / RMD™
- Built-In L-Track Rigging
- Available in Black or White
- Footprint Identical to Xi-1153A, Xi-1183A, Xi-2153A, Xi-1191A, and Xi-2181A



General Description:

The Electro-Voice® Xi-2122MHA/42F loudspeaker system was designed for optimal performance in both concert-sound and permanent-installation applications where studio-monitor sound quality is required at concert-sound levels. The high acoustic output from these compact, lightweight systems provide the highest acoustic-power-to-weight ratio, the highest acoustic-power-to-frontal-area ratio, and the highest acoustic-power-to-size ratio in the industry. This means that Xi-A Series systems will be considerably smaller and lighter compared to competitive systems having equivalent acoustic output. The 40° H x 20° V coverage pattern of the Xi-2122MHA/42F makes it ideal for sound-reinforcement applications with long-throw requirements. With its response from 125-20,000 Hz, is recommended for mid-bass-/high-frequency applications and should be used with an Xi-A Series bass box (like the Xi-1191A or Xi-2181A) for full-range applications. The Xi-2122MHA/42F may be used individually or in multiples to construct arrays. In addition, the Xi-2122MHA/42F may be used with the MB/HF or LF/MB/HF Xi-A Series loudspeaker systems to construct large full-range arrays. The Xi-2122MHA/42F enclosure shell and rigging are identical to the other full-size Xi-A Series systems for easy array integration. The 40° H x 20° V coverage pattern offers precise pattern control, and would be well suited for front-of-house, front-fill, side-fill and delay applications. The Xi-2122MHA/42F is a two-way active system that requires an active electronic crossover. Both the Electro-Voice Dx38 and Klark Teknik DN9848 digital crossovers are recommended for signal control. The Electro-Voice P3000 amplifier is recommended for powering the Xi-2122MHA/42F.

Technical Specifications:

Freq. Response ¹ (-3 dB):	170 Hz - 16 kHz
Freq. Range ¹ (-10 dB):	125 Hz - 20 kHz
Max Calculated SPL ² :	145 dB
Coverage:	40° x 20°
MB Power Handling:	600W Continuous, 2400W Peak
HF Power Handling:	150W Continuous, 600W Peak
MB Sensitivity:	112 dB, 1W/1m
HF Sensitivity:	116 dB, 1W/1m
MB Impedance:	4 ohms (Nominal)
HF Impedance:	8 ohms (Nominal)
MB Transducer:	(2) ND12A 12" (305mm) Drivers, 8 ohms
HF Transducer:	(2) ND6-16 3" (76mm) Diaphragm Comp. Drivers, 16 ohms
Crossover Frequency ³ :	Use Recommended Parameters
Connectors:	Two Neutrik Speakon® NL8MPR Paralleled
Enclosure Material:	13-ply Birch plywood
Grille:	16 GA steel
Dim (H x W x D):	914 x 586 x 759 mm (36.0" x 23.1" x 29.9")
Net Weight:	86.3 kg (190 lbs)
Shipping Weight:	90.1 kg (199 lbs)

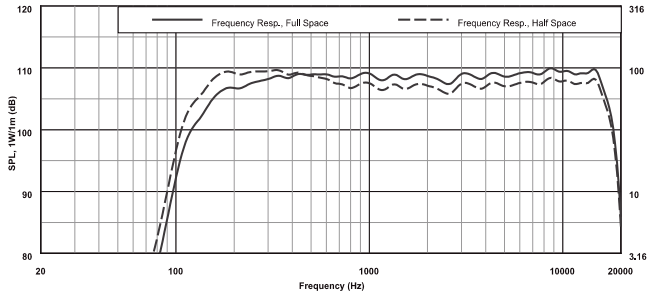
¹ Full Space measurement with a Dx38 Controller

² Max Calculated SPL of MB Section

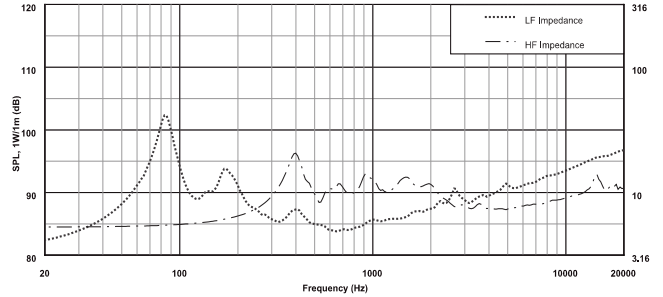
³ Download at www.electrovoice.com

Xi-2122MHA/42F Full Range Loudspeaker

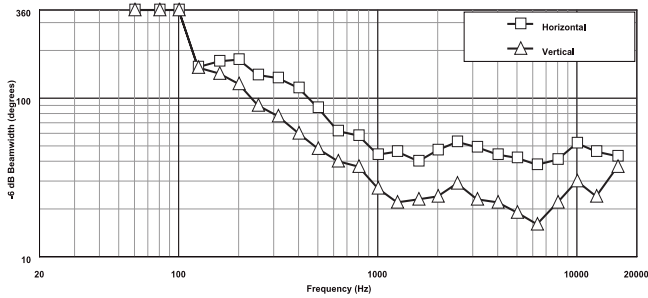
Frequency Response (Full & Half Space):



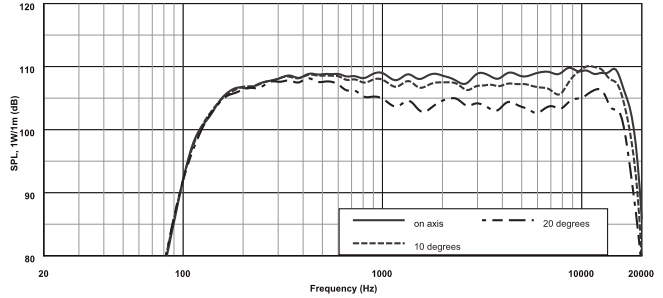
Impedance:



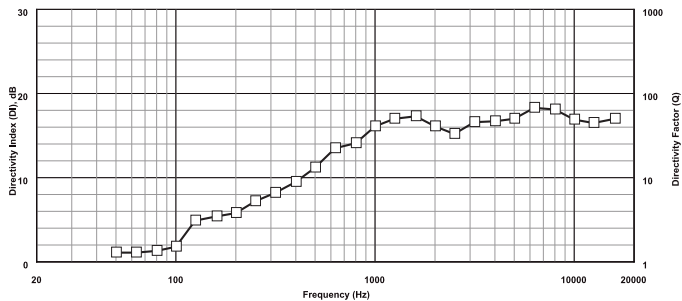
Beamwidth:



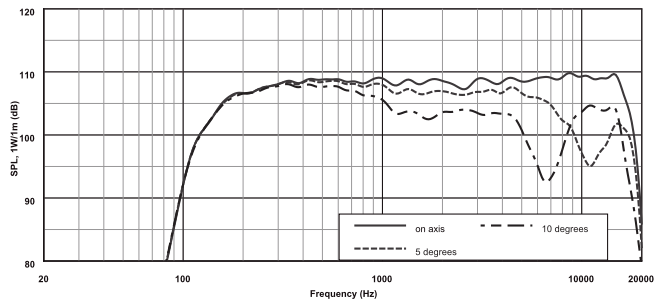
Horizontal Off Axis Frequency Response:



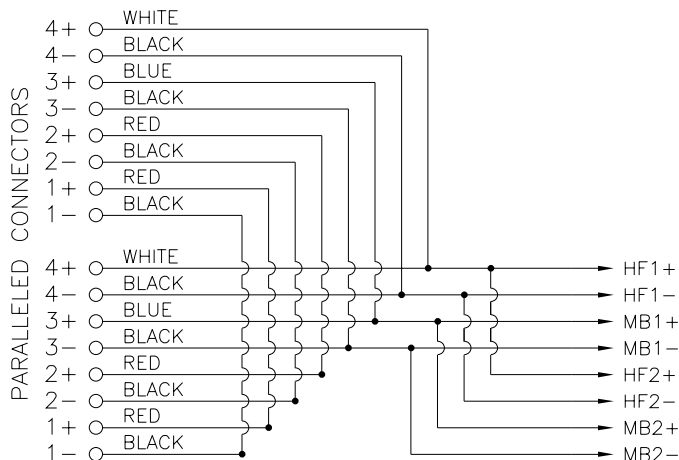
Directivity:



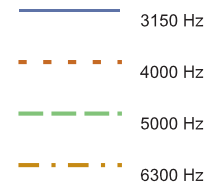
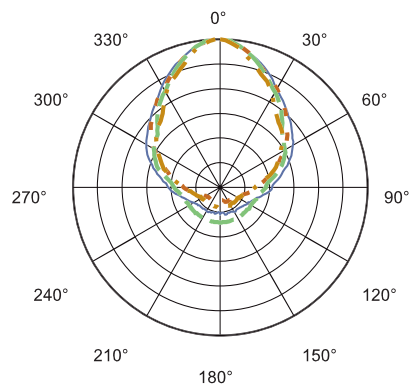
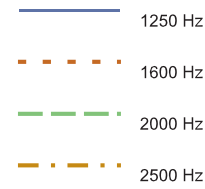
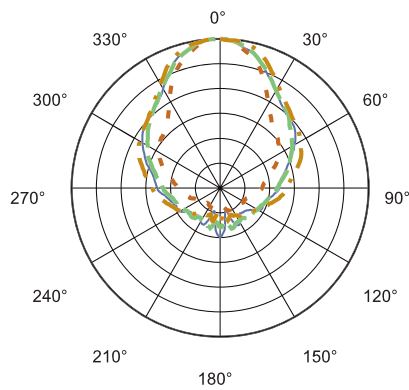
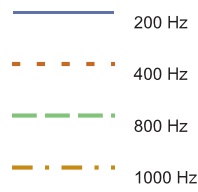
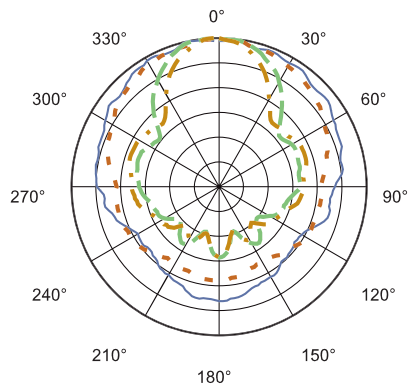
Vertical Off Axis Frequency Response (Up or Down):



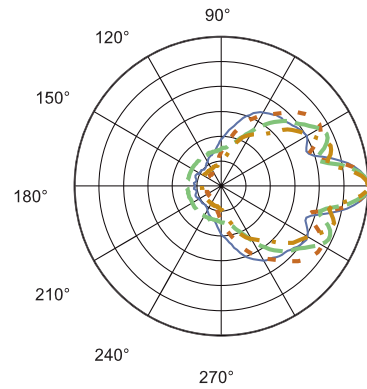
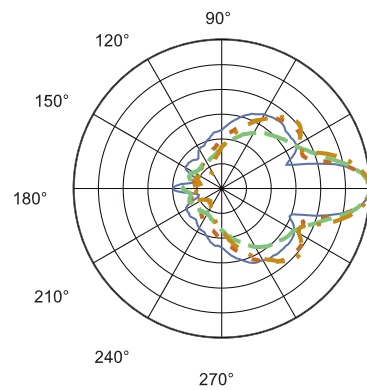
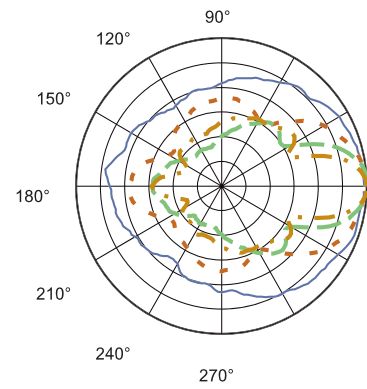
Wiring Diagram:



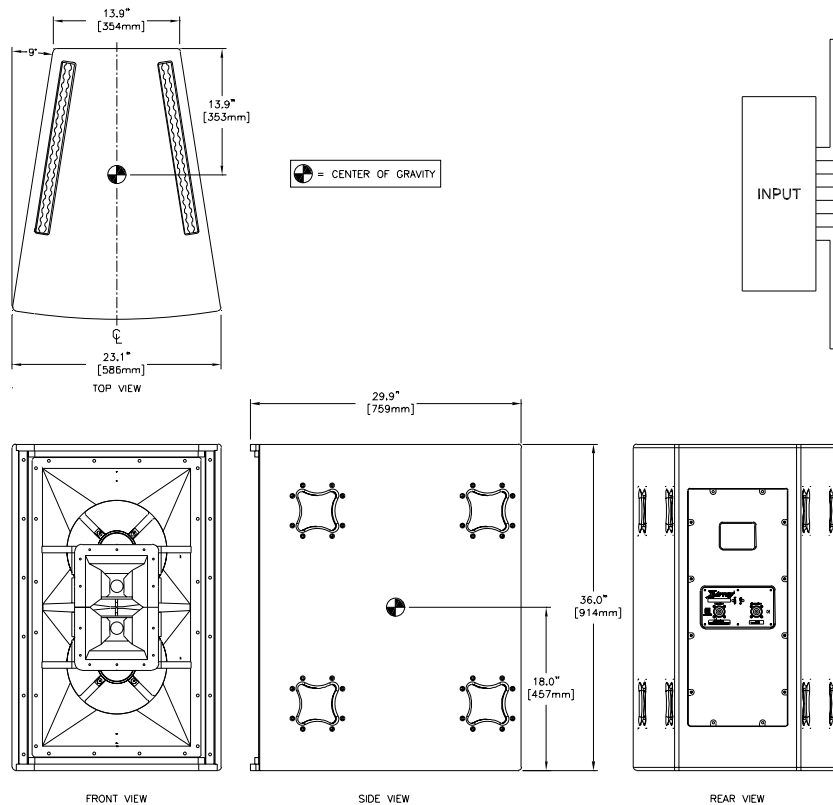
Horizontal 1/3 Octave Polars:



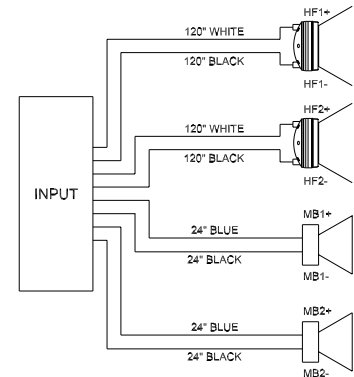
Vertical 1/3 Octave Polars:



Dimension Drawings:



Wiring/Connection Chart:



⚠ CAUTION ⚠

This Xi Loudspeaker should be suspended overhead only in accordance with the procedures and limitations specified in the *X-Array Xi Install Flying Manual* and possible manual update notices. This system should be suspended with certified rigging hardware by an authorized rigging professional and in compliance with local, state, and federal overhead suspension ordinances.

Performance Match

- P3000 (RL) • CPS 2.8 • Dx38
- P1200 (RL) • CPS 2.11

Xi-2122MHA/64F Part Numbers

- 1125-3442 - Black
- 1125-3445 - White

Architectural & Engineering Specs:

The loudspeaker system shall be a two-way bi-amp system. The system shall have dual 12-inch, fully horn-loaded mid-bass drivers with 2.5-inch voice coils and a nominal impedance of 4 ohms. The mid-bass drivers shall have a power-handling capacity of 600 watts for 8 hours (as per ANSI/EIA RS-426 A & AES 2-1984). The high-frequency section shall be coaxially mounted in the mid-bass horn and shall employ dual compression drivers capable of handling 300 watts, 1,760- to 20,000-Hz when pink noise of a 6-dB crest factor is applied for 2 hours (as per AES 2-1984 and ANSI S4.26-1984 standards). The loudspeaker shall be constructed of 18-mm, 13-ply birch and shall be trapezoidal in shape. The wedge angle shall be 18-degrees. The grille shall be constructed from 16 GA powder-coated steel backed by acoustically transparent fabric. The system shall be capable of very-high level operation with a band width of 125 to 20,000 Hz. The system dimensions shall be 586 mm (23.07 inches) wide by 914 mm (36.00 inches) high by 759 mm (29.88 inches) deep. The system shall employ flying hardware of a "track" style and two tracks on the enclosure top and two tracks on the enclosure bottom. Net weight shall be 86.3 kg (190 lbs).

The loudspeaker shall be the Electro-Voice® Xi-2122MHA/42F.



12000 Portland Avenue South, Burnsville, MN 55337

Phone: 952/884-4051, Fax: 952/884-0043

www.electrovoice.com

© Telex Communications, Inc. 2/2005

Part Number 38110-366 Rev. A

U.S.A. and Canada only. For customer orders, contact Customer Service at:

800/392-3497 Fax: 800/955-6831

Europe, Africa, and Middle East only. For customer orders, contact Customer Service at:

+ 49 9421-706 0 Fax: + 49 9421-706 265

Other International locations. For customer orders, contact Customer Service at:

+ 1 952 884-4051 Fax: + 1 952 736-4212

For warranty repair or service information, contact the Service Repair department at:

800/685-2606

For technical assistance, contact Technical Support at: **866/78AUDIO**

Specifications subject to change without notice.