

## Focus on Performance

**No other powered loudspeakers deliver the range and clarity of Electro-Voice®.**

If you need clear, full, powerful sound reinforcement—without a truckload of amps and speakers—direct your ears to the Electro-Voice® SxA100 and SxA180. These powered units work well in a wide range of sound reinforcement applications. Used together they offer a complete system that is compact, lightweight and easy to use.

### **SxA100 powered full-range loudspeaker**

sets a new standard for powered speakers. Its design provides the user multiple inputs with mix capability, line-out, an easy to use EQ section, and plenty of power in a very attractive package.

### **SxA180 powered subwoofer**

is ideal for extended low frequencies to DJ playback, live sound and other applications requiring high-quality sound. Designed to add additional impact and increased range to the EV SxA100 powered speaker, a built-in variable active crossover allows the SxA180 to work well with a wide variety of other full-range systems.

**Both the SxA100 and SxA180** are built with no-compromise design and construction. Our exclusive tour-proven RMD® Ring-Mode Decoupling technology, and 70 years of Electro-Voice® experience are evident when you hear the performance difference in SxA. When you need a big sound while traveling light, take along SxA100 and SxA180. For complete details, call **800-667-3968** or visit [www.electrovoice.com](http://www.electrovoice.com).



### **Superb sound for so many applications:**

The SxA100 and SxA180 go anywhere.

- bands
- small clubs
- mobile DJs
- acoustic acts
- coffee houses
- churches
- business presentations
- hotel and conference centers
- sound system rentals
- stage and side fill



*The SxA100 features  
two mic/line level  
inputs for easy mixing,  
two-band EQ, and  
line-level out.*



**SxA100 Powered Sound Reinforcement Speaker**

Multiple inputs with mix capability, easy to use EQ section, and plenty of power in a very compact package that is ideal for most applications. Master level control sets the desired SPL, and line input can be mixed and balanced with a microphone. On board dynamic equalization makes linear response easily optimized for speech or music. Built-in suspension points and pole mount make it easy to position for your application without expensive accessories. High frequency section utilizes a molded-in 65° x 65° constant-directivity horn coupled to a DH2010A. The result is vocals that sound natural yet "cut through" in reverberant, noisy rooms. Coverage pattern is uniform, sound quality well maintained - a 90° total coverage angle.

**SxA100 Features:**

- Compact, ergonomic size
- Mic and line inputs with mix capacity
- 350 W dynamic LF power
- 80 W dynamic HF power
- LF and HF equalization
- Line output for additional speakers
- 65° x 65° constant coverage horn
- High sensitivity, 124 dB maximum SPL
- Dynamic filters provide overload protection and linear response
- Molded-in pole mount, easily suspended
- Driven by the DH2010A
- F200 monitor feet included

**SxA180 Features:**

- Compact, ergonomic size
- Includes transport dolly-board with casters
- Extended low frequency response
- 650 W dynamic power
- Variable active crossover
- Line output for additional speakers
- High passed output for full-range speaker
- High sensitivity, 126 dB maximum SPL
- Included pole mount with 34" pole

**SxA180 Powered Subwoofer**

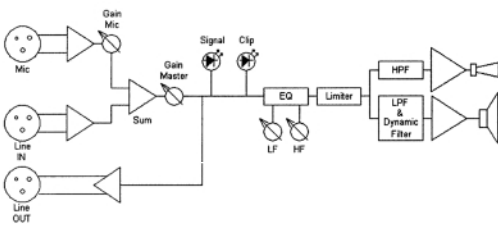
The SxA180 sets a new standard for powered subwoofers. It's design includes an active crossover output to perfectly match it to the SxA100, pole stand, and plenty of low end in a very compact package. A dolly wheel set provides a transport base for the sub and full range speakers. Attention to the dynamic requirements of low frequency reproduction resulted in combining a high efficiency transducer (DL18BFA) with a class D digital amplifier capable of 650 watts of dynamic power. 126 dB maximum SPL will satisfy any music requirement when used with an SxA100. A premium transducer, optimum enclosure, and the right amp provide a warm, deep sound.



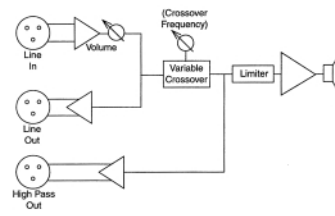
<b>Frequency response (-10 dB)</b>	<b>50Hz-20kHz</b>
<b>Max SPL</b>	<b>124 dB</b>
<b>Horizontal Coverage</b>	<b>65°</b>
<b>Vertical Coverage</b>	<b>65°</b>
<b>LF Amplifier Power</b>	<b>350W 50ms burst, 150W Continuous</b>
<b>HF Amplifier Power</b>	<b>80W 10ms burst, 50W Continuous</b>
<b>Mic Input Sensitivity</b>	<b>-35 dBu to 0 dBu for full output</b>
<b>Line Input Sensitivity</b>	<b>-12 dBu to 0 dBu for full output</b>
<b>LF transducer</b>	<b>12" (300mm)</b>
<b>HF Transducer</b>	<b>1" (25mm) Compression Driver</b>
<b>Balanced Mic, Line Inputs</b>	<b>XLR, XLR and 1/4" phone Combination</b>
<b>Balanced Output</b>	<b>XLR</b>
<b>Equalization</b>	<b>Shelving; LF ±6dB @ 4000Hz, HF ±4dB @ 5kHz</b>
<b>Power Requirement</b>	<b>110-130 VAC, 50-60Hz, or 220-240 VAC, 50-60Hz 600 Watts</b>
<b>Enclosure Material</b>	<b>Copolymer</b>
<b>Grille</b>	<b>Powder Coated Steel with Foam</b>
<b>Dim (H x W x D)</b>	<b>23.1" x 16.9" x 12.3" (586 x 429 x 312mm)</b>
<b>Net Weight (each)</b>	<b>43 lbs (19.5 kg)</b>
<b>Shipping Weight</b>	<b>47 lbs (21.3 kg)</b>

<b>Frequency response (-10 dB)</b>	<b>38 Hz-160 Hz</b>
<b>Variable Active Crossover</b>	<b>80 Hz-120 Hz</b>
<b>Max SPL</b>	<b>126 dB</b>
<b>LF Amplifier Power</b>	<b>650W 50ms burst, 300W Continuous</b>
<b>Line Input Sensitivity</b>	<b>-12 dBu to 0 dBu for full output</b>
<b>LF transducer</b>	<b>18" (450mm)</b>
<b>Voice Coil Diameter</b>	<b>3" (75mm)</b>
<b>Balanced Mic, Line Inputs</b>	<b>XLR</b>
<b>Balanced Line Output</b>	<b>XLR</b>
<b>Power Requirement</b>	<b>110-130 VAC, 50-60Hz, or 220-240 VAC, 50-60Hz 700 Watts</b>
<b>Finish</b>	<b>High Durability Black Polyurethane</b>
<b>Enclosure Material</b>	<b>Plywood</b>
<b>Grille</b>	<b>Powder Coated Steel with Foam</b>
<b>Dim (H x W x D)</b>	<b>31.5" x 21" x 23.5" (800 x 533 x 596mm)</b>
<b>Net Weight (each)</b>	<b>98 lbs (44.5 kg)</b>
<b>Shipping Weight</b>	<b>102 lbs (46.3 kg)</b>

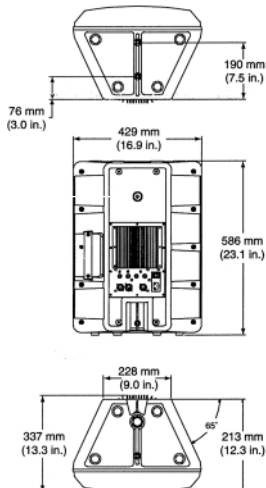
**SxA100 BLOCK DIAGRAM**



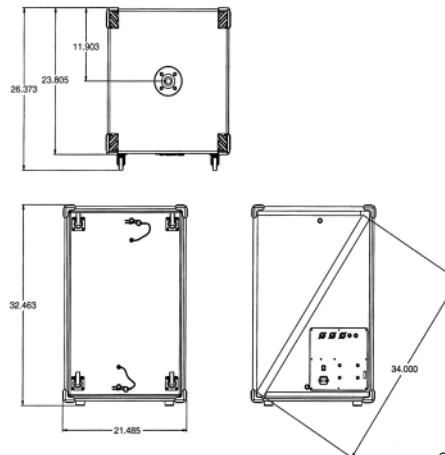
**SxA180 BLOCK DIAGRAM**



**SxA100 DIMENSION DRAWINGS**



**SxA180 DIMENSION DRAWINGS**



**Telex Communications, Inc.**  
 12000 Portland Avenue South  
 Burnsville, Minnesota 55337  
 p: 952.884.4051  
 f: 952.884.0043  
 www.telex.com